

Unions conical, butt weld ends

High-performance pipe union featuring conical sealing surfaces and butt weld ends, designed for permanent and leak-proof connections in high-pressure and high-temperature applications. Ideal for use in chemical, petrochemical, and process industries.

KEY FEATURES:

- Material: Stainless Steel AISI 304 and AISI 316
- Sealing Type: Metal-to-metal conical seat
- Connection Type: Butt weld ends
- Pressure Rating: ND 20 bar at 20°C (PN 20)
- Temperature Range: -20°C to 200°C
- Finish: Internally and externally polished or matte
- Construction: 3-piece union – two weld ends + union nut



Benefits:

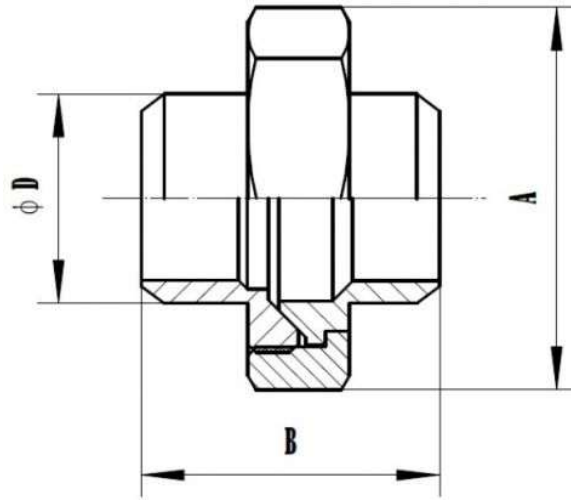
- Hygienic and easy to clean – ideal for sanitary systems
- Enables frequent disconnection without cutting or grinding
- Conical seat provides excellent sealing without gaskets
- Corrosion-resistant and durable under harsh conditions
- Suitable for permanent, high-purity installations requiring access points

APPLICATION:

The Union Conical with Butt Weld Ends is widely used in sanitary and high-purity piping systems where a permanent welded connection is required, but with the flexibility of easy disassembly and reassembly. The conical metal-to-metal seat ensures a reliable, gasket-free seal—making it ideal for hygienic and high-pressure applications.

- Food & Beverage Industry
- Pharmaceutical & Biotech
- Chemical Processing
- Water Filtration & Treatment Plants
- Steam and High-Temperature Lines
- General Industrial Applications

DRAWINGS AND DIMENSIONS:



Unit: mm			
Size	A	B	D
1/8"	29.10	40.60	10.30
1/4"	29.10	36.40	13.50
3/8"	34.00	37.20	17.20
1/2"	37.50	39.10	21.30
3/4"	44.50	41.00	26.90
1"	53.50	46.00	33.70
1 1/4"	64.00	52.80	42.40
1 1/2"	71.50	53.00	48.30
2"	85.50	55.30	60.30

The information presented above is intended for general reference and product selection purposes. Specifications, features, and applications may vary depending on manufacturer and specific model.

Please consult the product manual or contact the supplier for detailed technical data and guidance tailored to your requirements. All images and descriptions are for illustrative purposes only and may not fully represent the actual product design.

Thank you!